

The all-new EV9



Movement that inspires

Here to reshape the way we move.

The boldly sculpted Kia EV9 brings the full force of EV technology to the world of SUVs. Arrive at any destination in style with a new winning combination of roominess, sustainability and peace of mind.



The dynamic shape of change.

An upright windshield and large windows brighten the EV9 interior. The striking rear lights and side cladding tastefully blend into a smooth, muscular body, from the shoulders to the front wheel flares. The side character lines trail off upward, hinting at a world forever changed in the EV9's wake.



LED lighting (Small cube projection)



LED rear lighting



7-seater configuration



6-seater configuration



Quality time meets quality space

Starting with a flat floor and a broad-shouldered frame, the Kia EV9 designers enjoyed more freedom to rethink how seats, people and cargo all fit into the equation. The overall feeling in the three-row interior is spacious and serene, with convenient front and rear occupant access to the latest technology.

More people come with more things

The versatile cabin design lets you decide the right balance between occupants and belongings. Even the most luxurious EV9 seats are easy to fold to make way for cargo, while the flat floor makes for an expansive overall interior space.



3rd row power adjustment

Experience unparalleled comfort and convenience with the 3rd-row power adjustment seat. This feature allows you to effortlessly adjust the position of the third-row seats with the touch of a button.



Premium relaxation seats

Indulge in ultimate comfort with premium relaxation seats, which offer adjustable reclining and sliding, along with a leg rest.



Smart power tailgate

Simply stand behind the vehicle for three seconds with the smart key in your possession, and the tailgate will open automatically. You can even set the opening height to fit your preferences.



Center console

The console combines an armrest, a mobile phone charging pad, and storage areas.

7-Seater



7-seater configuration

3rd row seat folded

Folded 7-seater configuration

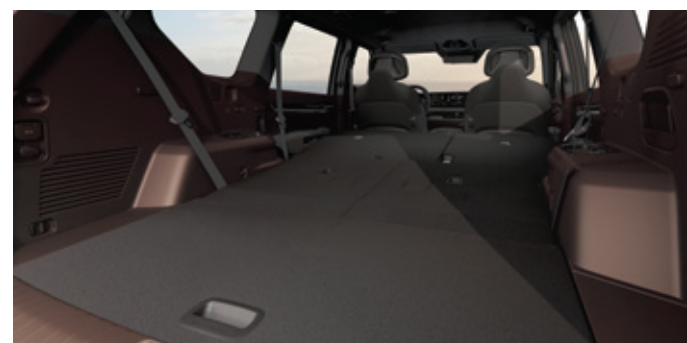
6-Seater



6-seater configuration

Relaxion seats

3rd row seat folded



Full-flat folding seatbacks

In 7-seater models, the second and third row seatbacks can be folded fully flat, creating a convenient, spacious storage space that can also be used as a relaxation space while the vehicle is stationary.



Ample cargo space

The tailgate opens to reveal generous space behind the rearmost seats for luggage, sports equipment and groceries, complementing the storage capacity of the front trunk.

Stay connected with the road and world around you

The panoramic instrument display organizes driver information into a wide, clear horizontal band. The intuitively laid out touchscreen lets you quickly navigate between data, settings, or entertainment choices. Experience innovative and optimized climate control, with vehicle controls conveniently accessible at your fingertips.



12.3-inch integrated panoramic display

The seamless & fully digital 12.3" + 5" + 12.3" screens provide crucial driving information, climate control settings and infotainment data, all available at an arm's length.



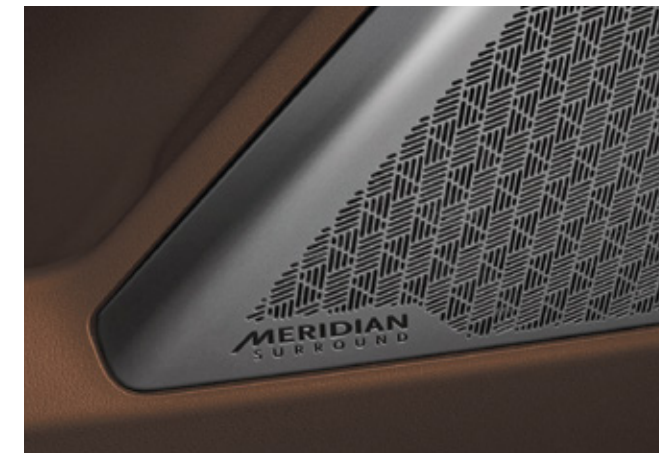
Digital side mirrors

Digital Side Mirrors provide a wider and clearer rear view, aiding with blind spot visibility.



Digital center mirror

Using a camera positioned in the rear spoiler, the 9.6" centre mirror provides improved visibility unhindered by luggage, seats, passengers, water & stains on rear glass and more.



14-speaker Meridian® premium sound system

The Meridian® surround sound system features 14 strategically placed speakers throughout the cabin so you can enjoy a natural, lifelike and authentic hi-fi experience.



Wireless charging pad

The charging pad in the wireless charging tray bin lets you charge compatible mobile phones wirelessly.



Surround View Monitor (SVM)

Manoeuvre easily when you park your car with the 360-degree surround view, high-resolution display and variable guidelines.



Back on the road before you know it

The EV9 is a highly advanced EV, with an in-built 400V & 800V charging architecture, allowing it to receive from any normal to ultra-fast charging outlets.

Mastering the power equation

The EV9 gives you reassuring control over the EV experience, and comes with four different Drive Modes designed to suit different driver preferences on the road.



Electric-Global Modular Platform (E-GMP)

The EV9 is the first mid-size SUV based on Kia's innovative E-GMP platform. The flat floor offers uncommon comfort and utility.

DC fast charging capability

The EV9's innovative charging system offers ultra-fast, 350kW DC fast charger compatibility. Using a 350kW DC fast charger, you can charge from 10% - 80% in as little as 24 mins.



V2L (Vehicle-to-Load) Out

Utilising outdoor V2L connector, the EV9 can be used to power electronics, home appliances and even charge other compatible EVs through Vehicle-to-Vehicle charging (V2V).

V2L (Vehicle-to-Load) In

Enjoy using your electronic devices inside the vehicle. This hassle-free experience ensures you can use your digital items without worry.



Column-type Shift-By-Wire (SBW)

Switch between Drive, Neutral, Reverse and Park with SBW controls conveniently mounted on the steering column next to the Start-Stop Button.

Drive Mode Select

The Kia EV9 can adjust to the way you like to drive. Personalise your drive with Normal, Sport or Eco drive mode using the convenient Drive Mode button on the steering wheel.

Watchful eyes for all-around protection

Kia pursues the occupant and pedestrian safety by applying the latest Advanced Driver Assistance System (ADAS) technologies to help keep you alert, safe and in control.



Rear Occupant Alert (ROA)

This standard feature can sound an alert to remind of rear seat occupants when exiting the vehicle.



Safe Exit Assist (SEA)

Before your passengers exit, standard Safe Exit Assist can scan for oncoming hazards, sounding an alert and preventing the door from open to help avoid danger.



Lane Keeping Assist (LKA)

Alerts you when your vehicle is about to move from its intended lane and provide steering intervention if needed.



Lane Following Assist (LFA)

Assist the driver's steering to help keep the vehicle centered between the lanes by detecting lanes and vehicles ahead on the road.



Parking Collision-Avoidance Assist (PCA)

Helps avoid a collision with pedestrians and objects while parking or exiting. If the risk of a collision persists after initial warning, PCA automatically assists with emergency braking.



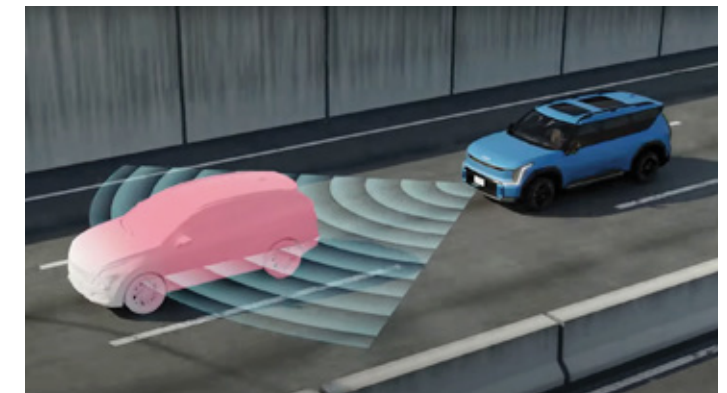
Blind-Spot Collision-Avoidance Assist (BCA)

The system helps prevent or reduce the risk of collision with vehicles in the adjacent lane or coming from behind when the driver switches lanes through audio-visual alerts and steering feedback.



High Beam Assist (HBA)

When High Beam Assist (HBA) detects headlights of oncoming cars, tail lights in front of the EV9 or there is enough ambient lighting, it will automatically turn off to prevent blinding other drivers. It will also automatically turn on in low ambient lighting.



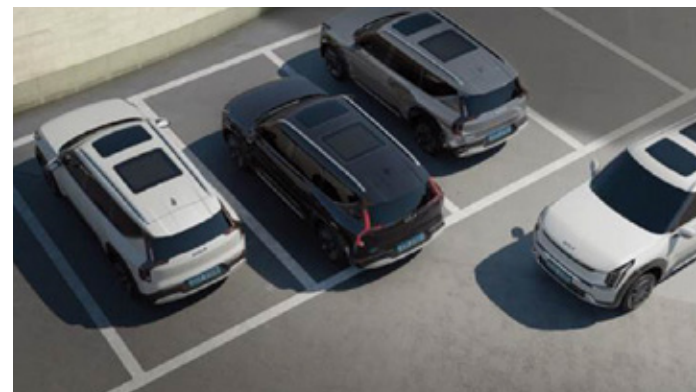
Smart Cruise Control (SCC)

Smart Cruise Control maintains a set speed and distance from the vehicle ahead, with the ability to come to a complete stop and resume in traffic.



Blind-Spot View Monitor (BVM)

Projects live video view of adjacent lanes in the instrument cluster when activated via the turn signal.



Rear Cross-Traffic Collision-Avoidance Assist (RCCA)

Rear corner radars detect the presence of cross traffic, from the right or left, in the lane the EV9 is backing into. If a vehicle is detected, the system will alert the driver.



Forward Collision-Avoidance Assist (FCA)

FCA uses sensors and cameras to scan the road ahead for hazards, alerting the driver and even applying the brakes to help prevent a collision when a hazard is detected, even when turning through an intersection.

True leaders follow their heart

The future is what we make of it. So follow your instinct, and lead the way at the wheel of an EV that ticks all the spacious, go-anywhere SUV boxes, while paving the way toward a more sustainable world.



Exterior colours

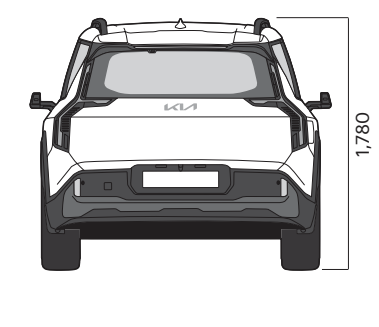
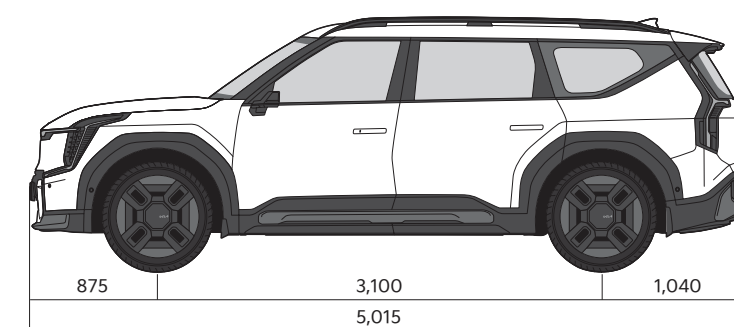
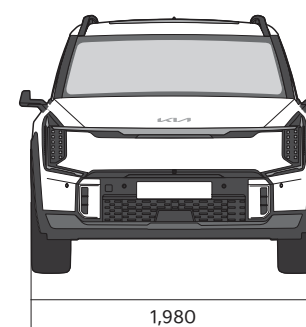


Interior colour



Brown & Black Leatherette

Dimensions



Kia EV9 Specifications

Variant		GT-Line (7-seater)	GT-Line (6-seater)
POWERTRAIN			
Drivetrain		AWD	
Transmission		e-Shift	
ELECTRIC MOTOR			
System Type		EV	
Motor Type		Permanent Magnet Synchronous Motor (PMSM)	
BATTERY PACK			
Battery Type		Lithium-Ion	
Battery Energy	kWh	99.8	
Charging Rate	AC	11 kW - 10 hr 30 min	
	DC	350kW - 24 min (10% - 80%)	
Charging Cable Type	AC (Normal)	Type 2	
	DC (Rapid)	CCS2	
PERFORMANCE			
System Combined Power	Hp	380	
System Combined Torque	Nm	700	
Top Speed	km/h	200	
Driving Range (Estimated)	km	505	
CHASSIS			
Braking System Type	Front	Ventilated Disc	
	Rear	Ventilated Disc	
Suspension Type	Front	MacPherson Struts	
	Rear	Multi-Link	
Steering Type		Motor Driven (R-MDPS)	
Wheels	Wheel Type	Alloy	
	Wheel Size	21"	
	Wheel Tyre Size	285 / 45 / R21	
Spare Wheel	Spare Wheel Type	Repair Kit	
DIMENSIONS			
Overall Length	mm	5,015	
Overall Width	mm	1,980	
Overall Height	mm	1,780	
Wheelbase	mm	3,100	
Ground Clearance	mm	177	
Curb Weight	kg	2,648	2,674
EXTERIOR			
Headlamps		LED (Small Cube Projection)	
Headlamps On/Off Function		Auto	
Headlamps Leveling		Auto	
Daytime Running Lights		LED	
Rear Combination Lamps		LED	
Rear Fog Lights		LED	
Windshield Wipers	Type	Variable Intermittent	
	Rain sensing	●	
Door Entry		Smart Keyless	
Outer Rearview Mirror		Camera	
Sunroof		●	
Tailgate		Smart Powered	
Parking Sensors		Front, Rear & Sides	
INTERIOR			
Start / Stop Button		●	
Parking Brake		Electronic Parking Brake	
Inner Rearview Mirror		Full Display (Camera type)	
Instrument Cluster		12.3"	
Power Windows with Anti-Pinch/Jam		Front & Rear	
Steering Wheel Adjustment		Electric Tilt & Telescopic	
Drive Mode Switch		●	
Sunvisors		Sliding & light	
COMFORT AND CONVENIENCE			
Steering Wheel Switches		Audio, Bluetooth®, Voice Recognition	
Cruise Control		●	
Paddle Shifters		●	
Heads-up Display (HUD)		●	
Air-Conditioning		Dual-zone Auto	
Rear Air-Conditioning		Single-zone Auto with 3rd Row Vents	
12V Power Socket		x 2	
USB Ports	Front	x 2	
	2nd Row	x 2	
Wireless charger		●	
Seat Back Pockets		Driver & Passenger	

Variant		GT-Line (7-seater)	GT-Line (6-seater)
SEATS			
Seating Capacity		7	6
Front Seats	Driver Adjustment	Powered with Premium Relaxion & Massage Function	
	Passenger Adjustment	Powered with Premium Relaxion	
	Lumbar Adjustment	4-way (Driver) + 2-way (Passenger)	
	Memory Function	Driver	
	Ventilation	Front & Rear (2nd Row)	
	Heated	Front & Rear (2nd Row)	
Rear Seats	2nd Row	60:40 Split-fold	Individual Relaxion Seats x2
	3rd Row	50:50 Split-fold	
Seat Material		Leatherette	
INFOTAINMENT			
Infotainment Display Size		12.3"	
AM / FM Tuner		●	
Bluetooth® Hands-Free Phone & Audio		●	
Apple CarPlay® & Android Auto™ Function **		●	
Speakers		x 14	
Speaker Technology		Meridian	
Surround View Monitor (SVM)		●	
ADVANCED TECHNOLOGIES			
Tyre Pressure Monitoring System (TPMS)		●	
Vehicle to Load (V2L)		●	
SAFETY			
SRS Airbags	Front (Driver & Passenger)	●	
	Side	●	
	Curtain	●	
	Centre Side	●	
Anti-Lock Braking System (ABS)		with Multi-Collision Braking	
Electronic Brake-Force Distribution (EBD)		●	
Brake Assist (BA)		●	
Electronic Stability Control (ESC)		●	
Traction Control System (TCS)		●	
Hill-start Assist Control (HAC)		●	
Auto Hold Function		●	
Door Lock		Auto	
Seat Belt Warning	Front	●	
	Rear	●	
Rear Occupant Alert (ROA)		●	
Safe Exit Assist (SEA)		●	
Child Restraint Anchor Points (ISOFIX)		2nd & 3rd Row	
Child Lock		Auto	
Immobilizer		with Anti-theft	
ADVANCED SAFETY TECHNOLOGIES			
High Beam Assist (HBA)		●	
Parking Collision-Avoidance Assist (PCA)		●	
Blind-Spot Collision-Avoidance Assist (BCA)		●	
Rear Cross-Traffic Collision-Avoidance Assist (RCCA)		●	
Blind-Spot View Monitor (BVM)		●	
Lane Keeping Assist (LKA)		●	
Driver Attention Warning (DAW)		●	
Forward Collision-Avoidance Assist (FCA2)	Forward Collision-Avoidance Assist (FCA)	●	
	Junction Turning (JT)	●	
	Junction Crossing (JX)	●	
	Lane-Change Oncoming (LCO)	●	
	Direct Oncoming (DO)	●	
	Lane-Change Side (LCS)	●	
	Driver Steering Assist (DSA)	●	
	Auto Evasive Steering Assist (ESA)	●	
Lane Following Assist (LFA2)		●	
Smart Cruise Control (SCC)		Stop & Go	

*5 years manufacturer warranty (or first 150,000km), whichever comes first. 8 years High Voltage Battery Pack warranty or first 160,000km, whichever comes first. **Android Auto™ will be available upon official launch of service in Malaysia. All images shown are for illustration purposes only. Colours and specifications shown may vary from the actual vehicles. Specifications may subject to change without prior notice. Terms and conditions apply.



Prima Maju Auto / Dinamikjaya Motors

04112024V15

Importer : Prima Maju Auto Sdn Bhd (202101010112) (1410411-X)

Sole Distributor : Dinamikjaya Motors Sdn Bhd (202001014214) (1370534-A)

No.1, Jalan Pelukis, U1/46, Temasya Industrial Park, Seksyen U1,
40150 Shah Alam Selangor, Malaysia.

Website: www.kia.com/my

FB: Kia Malaysia

Kia Customer Support: 03-7627 3222



Movement that inspires

Download the
E-brochure by
scanning the
QR code:

